

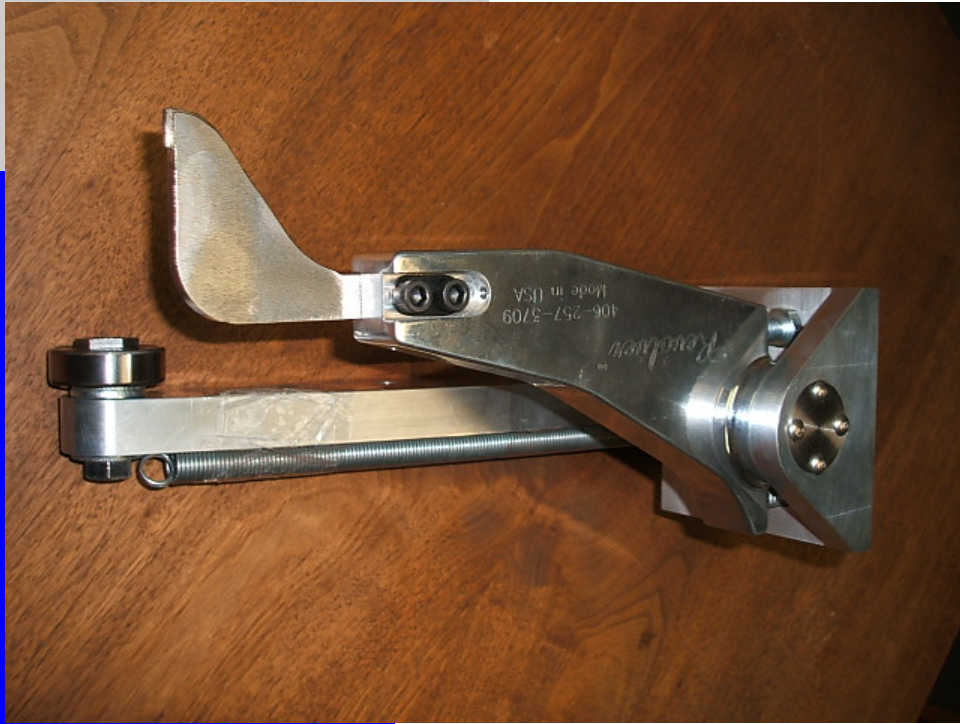


Precision & Performance

Engineered for Accuracy

Specifically engineered for Armstrong Saw grinders for easy installation and trouble-free operation

“Revolver”
Feed Finger System
For Armstrong Band Saw
Sharpeners




**Serving Saw Filers
Since 1902**

Improve sawing performance and reduce wear points for years of trouble-free saw sharpening.

Armstrong Mfg. Co.
2135 N.W. 21st Avenue
Portland, OR 97209 USA

Phone: 503-228-8381
Fax: 503-228-8384
www.armstrongblue.com



 Large diameter roller bearings for years of service

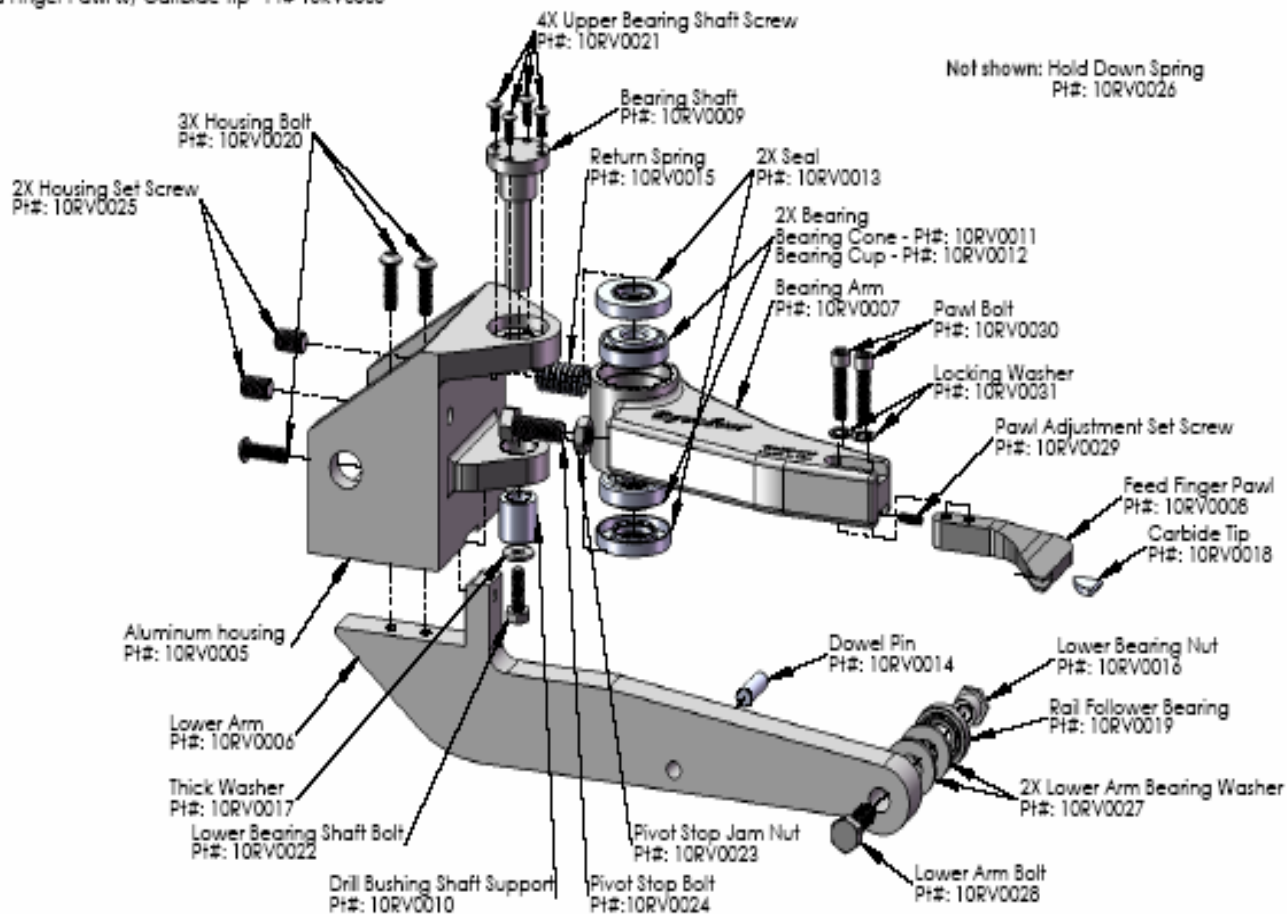
Authorized Armstrong Distributor:

Patent Pending

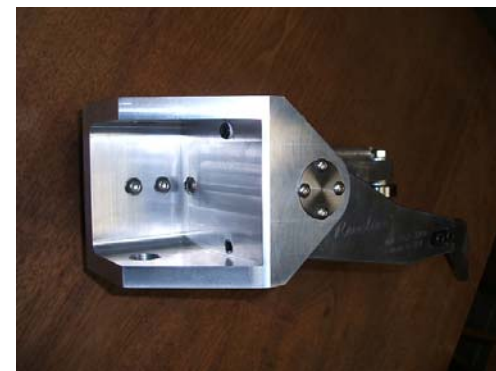
Armstrong
SERVING SAW FILERS SINCE 1902

Exploded View

Assembly Order Numbers:
RH Revolver Indexing Unit Assembly - Pt# 10RV0050
LH Revolver Indexing Unit Assembly - Pt# 10RV0051
Feed Finger Pawl w/ Carbide Tip - Pt# 10RV0060



Easy Installation



Remove existing feed arm cone screws and bushings ~ mount in place of Old feed arm 2 bolt installation virtually can be installed in minutes.



Align/set feed finger height and it is complete

Armstrong Mfg. Co.
2135 N.W. 21st Avenue
Portland, OR 97209 USA

Phone: 503-228-8381
Fax: 503-228-8384
www.armstrongblue.com